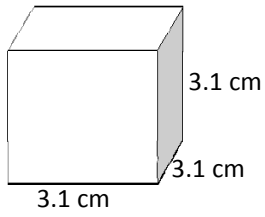


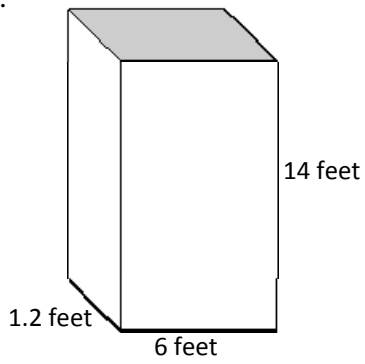
Lateral and Surface Area

Directions: Find the lateral and surface area.

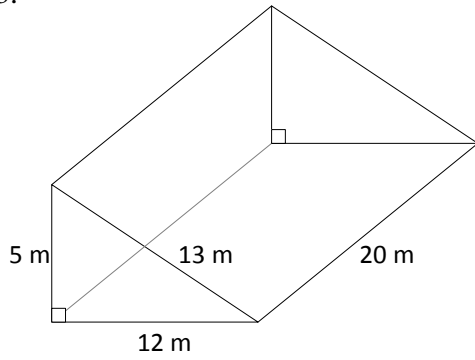
1.



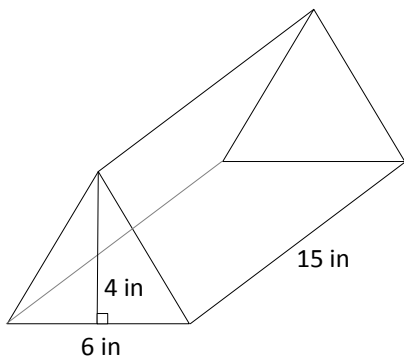
2.



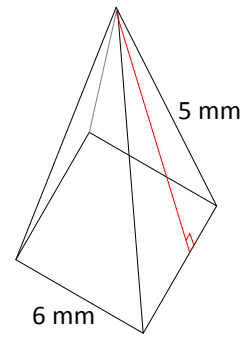
3.



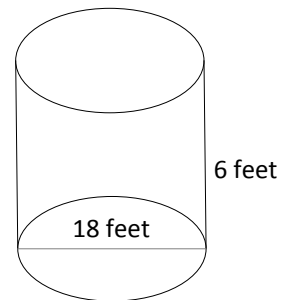
4.



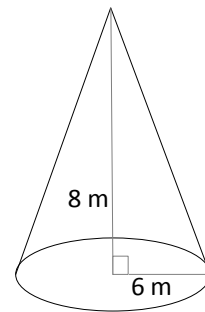
5.



6.



7.



8.

